



CATERER SERIES

SERIES: MOBILE PAVESI TRADITIONAL BRICK OVENS

PAVESI



Standard Caterer 90

FEATURES

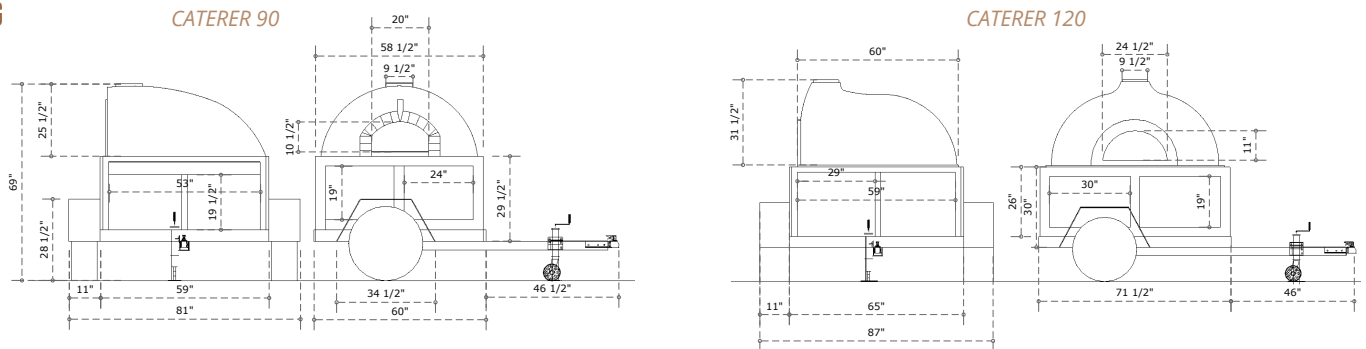
The Caterer series of mobile brick ovens are an agile option for the caterer on the go at private or modest public events. Available in two models, the Caterer 90 with 36" baking floor and Caterer 120 with 48" baking floor, this mobile oven can easily become the center of any outdoor event. The Caterer series features the Pavesi traditional RPM oven from Modena, Italy.

The Caterer series ovens have been built to be an efficient tool for any caterer. The sturdy body features an aluminum frame construction to

reduce towing weight whilst maintaining the highest standard in American road safety. Two stainless steel pop-up tables double as doors for the roomy storage space below the oven. Carrying wood, coolers and tools is easy.

The trailer features a removable tow hitch bar and scissor jacks that allow the oven to stand without the support of the temporary wheel jack or vehicle. More information can be found online at www.forzaforni.com.

SIZING



SPECIFICATIONS

MODEL	OVEN	DIMENSIONS (WITHOUT TOW HITCH BAR)	12" PIZZA CAPACITY	STORAGE SPACE (BELOW OVEN)*	TOW HITCH	EXTERIOR FINISH
CATERER 90	Pavesi RPM 90	60"W x 81"D x 69"H	2-3 Pizzas	56"W x 53"D x 19.5"H	2" Ball Tongue Removable Tow Bar	Stucco color of choice included. Italian tile option available as an upgrade
CATERER 120	Pavesi RPM 120	71.5"W x 87"D x 75"H	6-7 Pizzas	67.5"W x 59"D x 19.5"H	↓	↓

* 2" x 2" metal structure beam located in the center of storage space

PRICING

FOB 10509, NY

MODEL	PRICE
CATERER 90	\$13,750
CATERER 120	\$17,000

WARRANTY INFORMATION

1 year limited warranty on internal refractory parts, 1-year limited warranty on electrical, gas and other components. See warranty document for details.

EXTERIOR FINISH

CUSTOM STUCCO FINISHES

CHOOSE ANY STUCCO COLOR FOR YOUR OVEN FINISH!

FORZA FORNI
601 N Main St, Brewster, NY 10509
Email: info@forzaforni.com
www.forzaforni.com

844-OVEN-INC (844-683-6462)
Toll-free in USA
(Hablamos Español, Falamos Português)

Oven Listed to: UL 2162-ULC/ORD C2162, ANSI Z83.11-CSA 1.8, & NSF-4 for Commercial Wood Fired and Gas Fired Cooking Equipment

